

DriscoPlex[®] MDPE and HDPE Molded Fitting

Molded High Volume Gas Tapping Tee



DriscoPlex[®] MDPE and HDPE Molded Fittings are available to meet your needs in compliance with ASTM D2513, D3261, D2683, F2897 and AWWA C906 product standards.

Produced from only the highest rated MDPE and HDPE material, DriscoPlex[®] Fittings are manufactured from both PE 2708 resin and NSF-61 approved PE 4710 resin as listed in PPI-TR4.

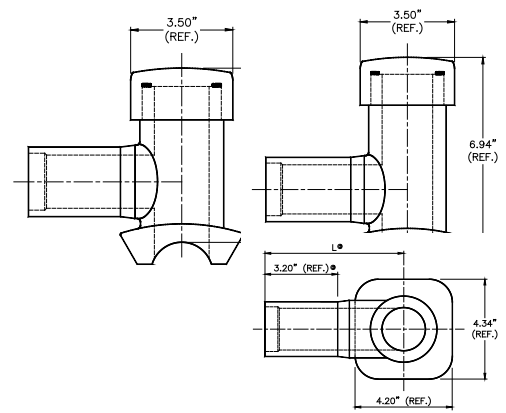
DriscoPlex[®] PE Fitting Advantages:

- ✓ Durable
- ✓ Leak Tight
- ✓ Excellent Flow
- ✓ Easy Install
- ✓ Light Weight
- ✓ Impact Resistant
- ✓ Fusibility
- ✓ Corrosion Resistant
- ✓ Chemical Resistant
- ✓ Life Cycle Cost
- ✓ Toughness
- ✓ Environmental

DriscoPlex[®] PE Fittings Material Physical Properties

Property	Standard	HDPE Typical Values	MDPE Typical Values
Material Designation	ASTM F412	PE4170	PE 2708
Cell Classification	ASTM D3350	445574C (Black)	234373E
Density [4]	ASTM D1505	0.960 g/cc (Black)	0.939 g/cc (Yellow)
Melt Index [4]	ASTM D1238	0.08 g/10 min	0.18 g/10 min
Flexural Modulus [5]	ASTM D790	>120,000 psi	> 90,000 psi
Tensile Strength [5]	ASTM D638 Type IV	>3500 psi	> 2800 psi
SCG (PENT) [7]	ASTM F1473	10,000 hours	> 2000 hours
HDB at 73°F (23°C) [4]	ASTM D2837	1600 psi	1250 psi
Color; UV stabilizer [C] [E]	ASTM D3350	Black –	– Yellow

This is not a product specification and does not guarantee or establish specific minimum or maximum values or manufacturing tolerance for material or piping products to be supplied. Values obtained from tests of specimens taken from piping product may vary from these typical values.

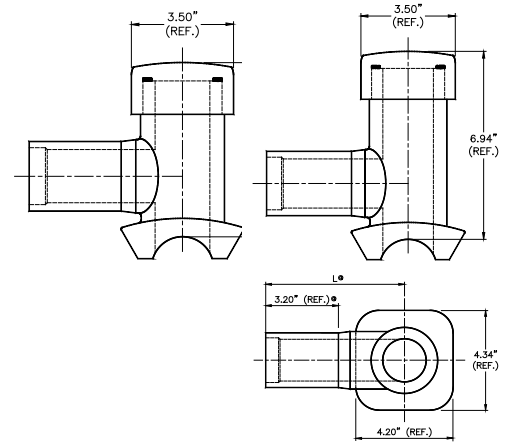


Gas Butt Rectangular Base HDPE - PE 4710

Outlet	Main Size (IPS)	DR/Wall	Dimension L (in)	Chimney	Cutter	No Sleeve			With Sleeve			
						Weight	Package	Part #	Weight	Sleeve	Package	Part #
2" IPS	2"	DR 11	5.3	Standard	1.50	18.4	6pkg	1096157	28.6	PS5-24	6pkg	1097543
	3"	DR 11	5.3	Standard	1.88	18.4	6pkg	1096156	28.6	PS5-24	6pkg	1104476
	4"	DR 11	5.3	Standard	1.88	18.4	6pkg	1096155	28.6	PS5-24	6pkg	1097614
	6"	DR 11	5.3	Standard	1.88	18.4	6pkg	1096154	28.6	PS5-24	6pkg	1050112
	8"	DR 11	5.3	Standard	1.88	18.4	6pkg	1097036	28.6	PS5-24	6pkg	1050124
	10"	DR 11	5.3	Extended	1.88	22.6	6pkg	1099112	32.9	PS5-24	6pkg	-
	12"	DR 11	5.3	Extended	1.88	22.6	6pkg	-	32.9	PS5-24	6pkg	-

Gas Butt Rectangular Base MDPE - PE 2708

Outlet	Main Size (IPS)	DR/Wall	Dimension L (in)	Chimney	Cutter	No Sleeve			With Sleeve			
						Weight	Package	Part #	Weight	Sleeve	Package	Part #
2" IPS	2"	DR 11	5.3	Standard	1.50	18.4	6pkg	1047330	28.6	PS5-24	6pkg	1047333
	3"	DR 11	5.3	Standard	1.88	18.4	6pkg	1047351	28.6	PS5-24	6pkg	1062016
	4"	DR 11	5.3	Standard	1.88	18.4	6pkg	1005436	28.6	PS5-24	6pkg	1047368
	6"	DR 11	5.3	Standard	1.88	18.4	6pkg	1047386	28.6	PS5-24	6pkg	1047389
	8"	DR 11	5.3	Standard	1.88	18.4	6pkg	1047397	28.6	PS5-24	6pkg	-
	10"	DR 11	5.3	Extended	1.88	22.6	6pkg	1063523	32.9	PS5-24	6pkg	1067401
	12"	DR 11	5.3	Extended	1.88	22.6	6pkg	1047278	32.9	PS5-24	6pkg	1047257
	14" - 24"	DR 11	5.3	Extended	1.88	22.6	6pkg		32.9	PS5-24	6pkg	
	2"	DR 11	5.3	Standard	1.500	-	-	-	28.6	PS6-24	6pkg	1047314
	3"	DR 11	5.3	Standard	1.880	-	-	-	28.6	PS6-24	6pkg	1047318
	4"	DR 11	5.3	Standard	1.880	-	-	-	28.6	PS6-24	6pkg	1047322
	6"	DR 11	5.3	Standard	1.880	-	-	-	28.6	PS6-24	6pkg	1047326
	8"	DR 11	5.3	Standard	1.880	-	-	-	28.6	PS6-24	6pkg	1047429
	10" - 24"	DR 11	5.3	Extended	1.880	-	-	-	32.9	PS6-24	6pkg	-



Gas Socket Rectangular Base HDPE - PE 4710

Outlet	Main Size (IPS)	Dimension L (in)	Chimney	Cutter	No Sleeve			With Sleeve			
					Weight	Package	Part #	Weight	Sleeve	Package	Part #
2" IPS	2"	5.30	Standard	1.50	18.4	6pkg	-	28.6	PS5-24	6pkg	1077467
	3"	5.30	Standard	1.88	18.4	6pkg	-	28.6	PS5-24	6pkg	-
	4"	5.30	Standard	1.88	18.4	6pkg	1104558	28.6	PS5-24	6pkg	-
	6"	5.30	Standard	1.88	18.4	6pkg	1103110	28.6	PS5-24	6pkg	-
	8"	5.30	Standard	1.88	18.4	6pkg	1103564	28.6	PS5-24	6pkg	-

Gas Socket Rectangular Base MDPE - PE 2708

Outlet	Main Size (IPS)	Dimension L (in)	Chimney	Cutter	No Sleeve			With Sleeve			
					Weight	Package	Part #	Weight	Sleeve	Package	Part #
1 1/4" IPS	2"	5.30	Standard	1.50	20.6	6pkg	1047230	30.9	PS5-24	6pkg	1047212
	3"	5.30	Standard	1.88	20.6	6pkg	1102096	30.9	PS5-24	6pkg	1047216
	4"	5.30	Standard	1.88	20.6	6pkg	1079746	30.9	PS5-24	6pkg	1047220
	6"	5.30	Standard	1.88	20.6	6pkg	-	30.9	PS5-24	6pkg	1047224
	8"	5.30	Standard	1.88	20.6	6pkg	-	30.9	PS5-24	6pkg	1047228
2" IPS	2"	5.30	Standard	1.50	18.4	6pkg	1087869	28.6	PS5-24	6pkg	1047243
	3"	5.30	Standard	1.88	18.4	6pkg	1087870	28.6	PS5-24	6pkg	1069549
	4"	5.30	Standard	1.88	18.4	6pkg	1087871	28.6	PS5-24	6pkg	1047247
	6"	5.30	Standard	1.88	18.4	6pkg	1087872	28.6	PS5-24	6pkg	1047249
	8"	5.30	Standard	1.88	18.4	6pkg	1087873	28.6	PS5-24	6pkg	1083326