

## DriscoPlex<sup>®</sup> MDPE and HDPE Molded Fitting

### Molded Standard Gas Tapping Tee



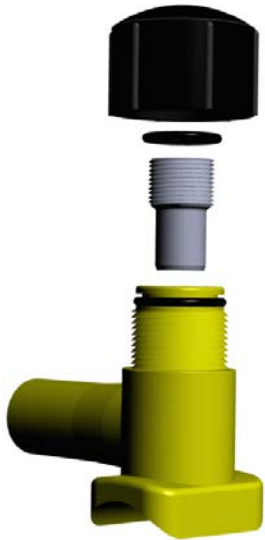
DriscoPlex<sup>®</sup> MDPE and HDPE Molded Fittings are certified by NSF International to comply with the system specifications ASTM D2513 and CSA B137.4 for Gas, and with AWWA C906 for Water. NSF International conducts a comprehensive three-part program to ensure the quality and safety of the polyethylene gas distribution pipe and fittings manufactured by Performance Pipe. This certification provides the highest confidence to gas utilities, code/regulatory officials and consumers.

DriscoPlex<sup>®</sup> MDPE and HDPE Molded Fittings also comply with product specifications ASTM D3261, D2683 and F2897. DriscoPlex<sup>®</sup> HDPE molded fittings also meet the performance requirements of API 15LE.

Produced from only the highest rated MDPE and HDPE material, DriscoPlex<sup>®</sup> Fittings are manufactured from both PE 2708 resins and NSF-61 approved PE 4710 resins that are listed for gas distribution in PPI-TR4.

#### DriscoPlex<sup>®</sup> PE Fitting Advantages:

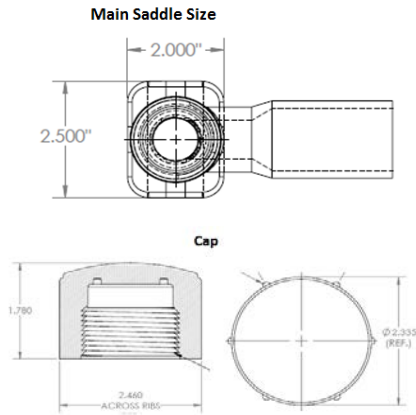
- ✓ Durable
- ✓ Leak Tight
- ✓ Excellent Flow
- ✓ Easy Install
- ✓ Light Weight
- ✓ Impact Resistant
- ✓ Fusibility
- ✓ Corrosion Resistant
- ✓ Chemical Resistant
- ✓ Life Cycle Cost
- ✓ Toughness
- ✓ Environmental



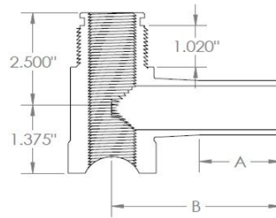
#### DriscoPlex<sup>®</sup> PE Fitting Material Physical Properties

Property	Standard	MDPE Typical Values	HDPE Typical Values
Material Designation	ASTM F412	PE 2708	PE 4710
Cell Classification	ASTM D3350	234373E	445574C
Density	ASTM D1505	0.939 g/cc	0.960 g/cc
Melt Index	ASTM D1238	0.18 g/10 min	0.08 g/10 min
Flexural Modulus	ASTM D790	>90,000 psi	>120,000 psi
Tensile Strength	ASTM D638 Type IV	>2800 psi	>3500 psi
SCG (PENT)	ASTM F1473	>2000 hours	10,000 hours
HDB at 73°F (23°C)	ASTM D2837	1250 psi	1600 psi
Color; UV stabilizer ,	ASTM D3350	--	Black, 'C'
		Yellow, 'E'	--

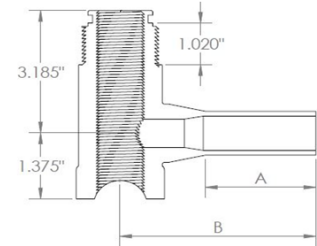
This is not a product specification and does not guarantee or establish specific minimum or maximum values or manufacturing tolerance for material or piping products to be supplied. Values obtained from tests of specimens taken from piping product may vary from these typical values.



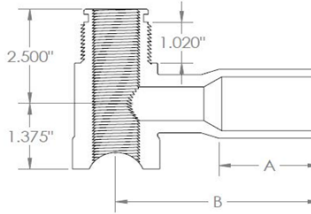
Standard Chimney / Style "A" Outlet



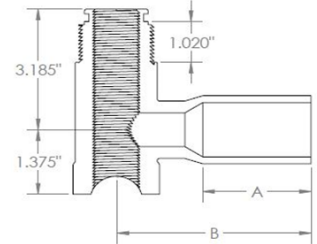
Extended Chimney / Style "A" Outlet



Standard Chimney / Style "B" Outlet



Extended Chimney / Style "B" Outlet



### Butt Rectangular Base MDPE

Outlet	Main Size (IPS)	DR/Wall	Cutter	Chimney & Style	Dimension A / B (in)	No Sleeve (Standard)			With Sleeve (Non-Standard)			
						Box wt. (lbs)	Package	Part #	Box wt. (lbs)	Sleeve	Package	Part #
1/2" CTS	1-1/4"	0.090	0.8	Std / "A"	1.68 / 4.86	6.4	10pkg/box	1118114	8.1	PS1-12	10pkg/box	1118160
	2"	0.090	0.8	Std / "A"	1.68 / 4.86	6.4	10pkg/box	1118116	8.1	PS1-12	10pkg/box	1118192
	3"	0.090	0.8	Std / "A"	1.68 / 4.86	6.4	10pkg/box	1118117	8.1	PS1-12	10pkg/box	1118193
	4"	0.090	0.80 XL	Std / "A"	1.68 / 4.86	6.4	10pkg/box	1118118	8.1	PS1-12	10pkg/box	1118194
	6"	0.090	0.80 XL9	Std / "A"	1.68 / 4.86	6.5	10pkg/box	1118119	8.2	PS1-12	10pkg/box	1118195
	8"	0.090	0.80 XXL	Ext / "A"	1.68 / 4.86	4.0	5pkg/box	1118120	10.1	PS1-12	10pkg/box	1118196
	10"-18"	0.090	0.80 XXL	Ext / "A"	1.68 / 4.86	4.0	5pkg/box	See Note 1	10.1	PS1-12	10pkg/box	See Note 1
1/2" IPS	1-1/4"	DR 9.3	0.8	Std / "A"	2.00 / 4.65	6.4	10pkg/box	1118123	8.7	PS1A-12	10pkg/box	1118199
	2"	DR 9.3	0.8	Std / "A"	2.00 / 4.65	6.4	10pkg/box	1118125	8.7	PS1A-12	10pkg/box	1118201
	3"	DR 9.3	0.8	Std / "A"	2.00 / 4.65	6.4	10pkg/box	1118126	8.7	PS1A-12	10pkg/box	1118202
	4"	DR 9.3	0.80 XL	Std / "A"	2.00 / 4.65	6.4	10pkg/box	1118127	8.7	PS1A-12	10pkg/box	1118203
	6"	DR 9.3	0.80 XL9	Std / "A"	2.00 / 4.65	6.5	10pkg/box	1118423	8.8	PS1A-12	10pkg/box	1118424
	8"	DR 9.3	0.80 XXL	Ext / "A"	2.00 / 4.65	4.0	5pkg/box	1118128	10.6	PS1A-12	10pkg/box	1118204
	10"-18"	DR 9.3	0.80 XXL	Ext / "A"	2.00 / 4.65	4.0	5pkg/box	See Note 1	10.6	PS1A-12	10pkg/box	See Note 1
3/4" IPS	1-1/4"	DR 11	0.8	Std / "A"	2.44 / 4.32	6.4	10pkg/box	1118140	8.7	PS1A-12	10pkg/box	1118220
	2"	DR 11	0.8	Std / "A"	2.44 / 4.32	6.4	10pkg/box	1118142	8.7	PS1A-12	10pkg/box	1118222
	3"	DR 11	0.8	Std / "A"	2.44 / 4.32	6.4	10pkg/box	1118143	8.7	PS1A-12	10pkg/box	1118223
	4"	DR 11	0.80 XL	Std / "A"	2.44 / 4.32	6.4	10pkg/box	1118144	8.7	PS1A-12	10pkg/box	1118224
	6"	DR 11	0.80 XL9	Std / "A"	2.44 / 4.32	6.5	10pkg/box	1118146	8.8	PS1A-12	10pkg/box	1118225
	8"	DR 11	0.80 XXL	Ext / "A"	2.44 / 4.32	4.0	5pkg/box	1118147	10.6	PS1A-12	10pkg/box	1118226
	10"-18"	DR 11	0.80 XXL	Ext / "A"	2.44 / 4.32	4.0	5pkg/box	See Note 1	10.6	PS1A-12	10pkg/box	See Note 1
1" CTS	1-1/4"	0.102	0.8	Std / "A"	2.48 / 4.34	6.4	10pkg/box	1118164	8.7	PS1A-12	10pkg/box	1118096
	2"	0.102	0.8	Std / "A"	2.48 / 4.34	6.4	10pkg/box	1118166	8.7	PS1A-12	10pkg/box	1118098
	3"	0.102	0.8	Std / "A"	2.48 / 4.34	6.4	10pkg/box	1118167	8.7	PS1A-12	10pkg/box	1118099
	4"	0.102	0.80 XL	Std / "A"	2.48 / 4.34	6.4	10pkg/box	1118168	8.7	PS1A-12	10pkg/box	1118100
	6"	0.102	0.80 XL9	Std / "A"	2.48 / 4.34	6.5	10pkg/box	1118169	8.8	PS1A-12	10pkg/box	1118101
	8"	0.102	0.80 XXL	Ext / "A"	2.48 / 4.34	4.0	5pkg/box	1118170	10.6	PS1A-12	10pkg/box	1118242
	10"-18"	0.102	0.80 XXL	Ext / "A"	2.48 / 4.34	4.0	5pkg/box	See Note 1	10.6	PS1A-12	10pkg/box	See Note 1
1" IPS	1-1/4"	DR 11	0.8	Std / "A"	2.70 / 3.78	6.4	10pkg/box	1118174	9.2	PS2-12	10pkg/box	1118254
	2"	DR 11	0.8	Std / "A"	2.70 / 3.78	6.4	10pkg/box	1118176	9.2	PS2-12	10pkg/box	1118256
	3"	DR 11	0.8	Std / "A"	2.70 / 3.78	6.4	10pkg/box	1118177	9.2	PS2-12	10pkg/box	1118257
	4"	DR 11	0.80 XL	Std / "A"	2.70 / 3.78	6.4	10pkg/box	1118178	9.2	PS2-12	10pkg/box	1118258
	6"	DR 11	0.80 XL9	Std / "A"	2.70 / 3.78	6.5	10pkg/box	1118179	9.3	PS2-12	10pkg/box	1118259
	8"	DR 11	0.80 XXL	Ext / "A"	2.70 / 3.78	4.0	5pkg/box	1118180	11.2	PS2-12	10pkg/box	1118260
	10"-18"	DR 11	0.80 XXL	Ext / "A"	2.70 / 3.78	4.0	5pkg/box	See Note 1	11.2	PS2-12	10pkg/box	See Note 1
1-1/4" IPS	1-1/4"	DR 10	0.8	Std / "B"	2.25 / 4.39	6.4	10pkg/box	1118183	10.4	PS3-12	10pkg/box	1118263
	2"	DR 10	0.8	Std / "B"	2.25 / 4.39	6.4	10pkg/box	1118185	10.4	PS3-12	10pkg/box	1118265
	3"	DR 10	0.8	Std / "B"	2.25 / 4.39	6.4	10pkg/box	1118186	10.4	PS3-12	10pkg/box	1118266
	4"	DR 10	0.80 XL	Std / "B"	2.25 / 4.39	6.4	10pkg/box	1118187	10.4	PS3-12	10pkg/box	1118267
	6"	DR 10	0.80 XL9	Std / "B"	2.25 / 4.39	6.5	10pkg/box	1118188	10.5	PS3-12	10pkg/box	1118268
	8"	DR 10	0.80 XXL	Ext / "B"	2.25 / 4.39	4.0	5pkg/box	1118189	12.4	PS3-12	10pkg/box	1118269
	10"-18"	DR 10	0.80 XXL	Ext / "B"	2.25 / 4.39	4.0	5pkg/box	See Note 1	12.4	PS3-12	10pkg/box	See Note 1

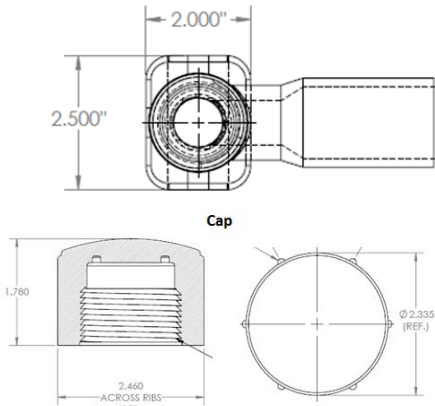
Note 1 – Refer to Gas Distribution Technical Note PP 14.02 for cutter length limitations.

### Butt Rectangular Base HDPE

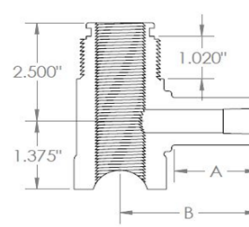
						No Sleeve (Standard)			With Sleeve (Non-Standard)			
Outlet	Main Size (IPS)	DR/Wall	Dimension A / B (in)	Chimney & Style	Cutter	Box wt. (lbs)	Package	Part #	Box wt. (lbs)	Sleeve	Package	Part #
1/2" CTS	1-1/4"	0.090	1.68 / 4.86	Std / "A"	0.80	6.4	10pkg/bx	1117722	8.1	PS1-12	10pkg/bx	1117772
	2"	0.090	1.68 / 4.86	Std / "A"	0.80	6.4	10pkg/bx	1117724	8.1	PS1-12	10pkg/bx	1117775
	3"	0.090	1.68 / 4.86	Std / "A"	0.80	6.4	10pkg/bx	1117725	8.1	PS1-12	10pkg/bx	1117776
	4"	0.090	1.68 / 4.86	Std / "A"	0.80 XL	6.4	10pkg/bx	1117726	8.1	PS1-12	10pkg/bx	1117777
	6"	0.090	1.68 / 4.86	Std / "A"	0.80 XL9	6.5	10pkg/bx	1117727	8.2	PS1-12	10pkg/bx	1117778
	8"	0.090	1.68 / 4.86	Ext / "A"	0.80 XXL	4.0	5pkg/bx	1117728	10.1	PS1-12	10pkg/bx	1117779
	10"-18"	0.090	1.68 / 4.86	Ext / "A"	0.80 XXL	4.0	5pkg/bx	See Note 1	10.1	PS1-12	10pkg/bx	See Note 1
1/2" IPS	1-1/4"	DR 9.3	2.00 / 4.65	Std / "A"	0.80	6.4	10pkg/bx	1117729	8.7	PS1A-12	10pkg/bx	
	2"	DR 9.3	2.00 / 4.65	Std / "A"	0.80	6.4	10pkg/bx	1117732	8.7	PS1A-12	10pkg/bx	
	3"	DR 9.3	2.00 / 4.65	Std / "A"	0.80	6.4	10pkg/bx	1117733	8.7	PS1A-12	10pkg/bx	
	4"	DR 9.3	2.00 / 4.65	Std / "A"	0.80 XL	6.4	10pkg/bx	1117734	8.7	PS1A-12	10pkg/bx	
	6"	DR 9.3	2.00 / 4.65	Std / "A"	0.80 XL9	6.5	10pkg/bx	1117735	8.8	PS1A-12	10pkg/bx	
	8"	DR 9.3	2.00 / 4.65	Ext / "A"	0.80 XXL	4.0	5pkg/bx	1117736	10.6	PS1A-12	10pkg/bx	
	10"-18"	DR 9.3	2.00 / 4.65	Ext / "A"	0.80 XXL	4.0	5pkg/bx	See Note 1	10.6	PS1A-12	10pkg/bx	See Note 1
3/4" IPS	1-1/4"	DR 11	2.44 / 4.32	Std / "A"	0.80	6.4	10pkg/bx	1117742	8.7	PS1A-12	10pkg/bx	1117809
	2"	DR 11	2.44 / 4.32	Std / "A"	0.80	6.4	10pkg/bx	1117744	8.7	PS1A-12	10pkg/bx	1117810
	3"	DR 11	2.44 / 4.32	Std / "A"	0.80	6.4	10pkg/bx	1117745	8.7	PS1A-12	10pkg/bx	1117874
	4"	DR 11	2.44 / 4.32	Std / "A"	0.80 XL	6.4	10pkg/bx	1117746	8.7	PS1A-12	10pkg/bx	1117852
	6"	DR 11	2.44 / 4.32	Std / "A"	0.80 XL9	6.5	10pkg/bx	1117720	8.8	PS1A-12	10pkg/bx	1117875
	8"	DR 11	2.44 / 4.32	Ext / "A"	0.80 XXL	4.0	5pkg/bx	1117747	10.6	PS1A-12	10pkg/bx	1117876
	10"-18"	DR 11	2.44 / 4.32	Ext / "A"	0.80 XXL	4.0	5pkg/bx	See Note 1	10.6	PS1A-12	10pkg/bx	See Note 1
1" CTS	1-1/4"	0.090	2.48 / 4.34	Std / "A"	0.80	6.4	10pkg/bx	1117748	8.7	PS1A-12	10pkg/bx	1117957
	2"	0.090	2.48 / 4.34	Std / "A"	0.80	6.4	10pkg/bx	1117750	8.7	PS1A-12	10pkg/bx	1117959
	3"	0.090	2.48 / 4.34	Std / "A"	0.80	6.4	10pkg/bx	1117751	8.7	PS1A-12	10pkg/bx	1117960
	4"	0.090	2.48 / 4.34	Std / "A"	0.80 XL	6.4	10pkg/bx	1117752	8.7	PS1A-12	10pkg/bx	1117961
	6"	0.090	2.48 / 4.34	Std / "A"	0.80 XL9	6.5	10pkg/bx	1117753	8.8	PS1A-12	10pkg/bx	1117962
	8"	0.090	2.48 / 4.34	Ext / "A"	0.80 XXL	4.0	5pkg/bx	1117754	10.6	PS1A-12	10pkg/bx	1117963
	10"-18"	0.090	2.48 / 4.34	Ext / "A"	0.80 XXL	4.0	5pkg/bx	See Note 1	10.6	PS1A-12	10pkg/bx	See Note 1
1" IPS	1-1/4"	DR 11	2.70 / 3.78	Std / "A"	0.80	6.4	10pkg/bx	1117801	9.2	PS2-12	10pkg/bx	1117974
	2"	DR 11	2.70 / 3.78	Std / "A"	0.80	6.4	10pkg/bx	1117813	9.2	PS2-12	10pkg/bx	1117976
	3"	DR 11	2.70 / 3.78	Std / "A"	0.80	6.4	10pkg/bx	1117815	9.2	PS2-12	10pkg/bx	1117977
	4"	DR 11	2.70 / 3.78	Std / "A"	0.80 XL	6.4	10pkg/bx	1117816	9.2	PS2-12	10pkg/bx	1117978
	6"	DR 11	2.70 / 3.78	Std / "A"	0.80 XL9	6.5	10pkg/bx	1117817	9.3	PS2-12	10pkg/bx	1117979
	8"	DR 11	2.70 / 3.78	Ext / "A"	0.80 XXL	4.0	5pkg/bx	1117818	11.2	PS2-12	10pkg/bx	1117980
	10"-18"	DR 11	2.70 / 3.78	Ext / "A"	0.80 XXL	4.0	5pkg/bx	See Note 1	11.2	PS2-12	10pkg/bx	See Note 1
1-1/4" IPS	1-1/4"	DR 11	2.25 / 4.39	Std / "B"	0.80	6.4	10pkg/bx	1117755	10.4	PS3-12	10pkg/bx	1117877
	2"	DR 11	2.25 / 4.39	Std / "B"	0.80	6.4	10pkg/bx	1117757	10.4	PS3-12	10pkg/bx	1117879
	3"	DR 11	2.25 / 4.39	Std / "B"	0.80	6.4	10pkg/bx	1117758	10.4	PS3-12	10pkg/bx	1117880
	4"	DR 11	2.25 / 4.39	Std / "B"	0.80 XL	6.4	10pkg/bx	1117759	10.4	PS3-12	10pkg/bx	1117881
	6"	DR 11	2.25 / 4.39	Std / "B"	0.80 XL9	6.5	10pkg/bx	1117760	10.5	PS3-12	10pkg/bx	1117882
	8"	DR 11	2.25 / 4.39	Ext / "B"	0.80 XXL	4.0	5pkg/bx	1117761	12.4	PS3-12	10pkg/bx	1117883
	10"-18"	DR 11	2.25 / 4.39	Ext / "B"	0.80 XXL	4.0	5pkg/bx	See Note 1	12.4	PS3-12	10pkg/bx	See Note 1

Note 1 – Refer to Gas Distribution Technical Note PP 14.02 for cutter length limitations.

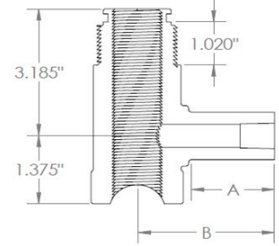
Main Saddle Size



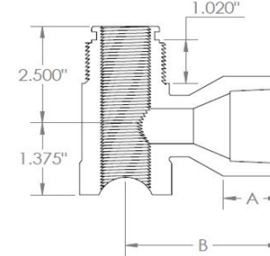
Standard Chimney / Style "A" Outlet



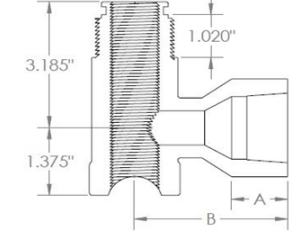
Extended Chimney / Style "A" Outlet



Standard Chimney / Style "B" Outlet



Extended Chimney / Style "B" Outlet



**Socket Rectangular Base MDPE**

Outlet	Main Size (IPS)	Dimension A / B (in)	Chimney & Style	Cutter	No Sleeve (Non-Standard)			With Sleeve (Standard)			
					Box wt. (lbs)	Package	Part #	Box wt. (lbs)	Sleeve	Package	Part #
1/2" CTS	1-1/4"	1.73 / 2.90	Std / "A"	0.80	6.3	10pkg/box	1118272	8.1	PS1-12	10pkg/box	1118229
	2"	1.73 / 2.90	Std / "A"	0.80	6.3	10pkg/box	1118274	8.1	PS1-12	10pkg/box	1118231
	3"	1.73 / 2.90	Std / "A"	0.80	6.3	10pkg/box	1118275	8.1	PS1-12	10pkg/box	1118322
	4"	1.73 / 2.90	Std / "A"	0.80 XL	6.3	10pkg/box	1118276	8.1	PS1-12	10pkg/box	1118323
	6"	1.73 / 2.90	Std / "A"	0.80 XL9	6.4	10pkg/box	1118277	8.2	PS1-12	10pkg/box	1118324
	8"	1.73 / 2.90	Ext / "A"	0.80 XXL	3.9	5pkg/box	1118278	9.2	PS1-12	10pkg/box	1118325
1/2" IPS	1-1/4"	1.73 / 2.90	Ext / "A"	0.80 XXL	3.9	5pkg/box	See Note 1	9.2	PS1-12	10pkg/box	See Note 1
	1-1/4"	1.85 / 2.97	Std / "A"	0.80	6.3	10pkg/box	1118272	8.7	PS1A-12	10pkg/box	1118329
	2"	1.85 / 2.97	Std / "A"	0.80	6.3	10pkg/box	1118274	8.7	PS1A-12	10pkg/box	1118331
	3"	1.85 / 2.97	Std / "A"	0.80	6.3	10pkg/box	1118275	8.7	PS1A-12	10pkg/box	1118332
	4"	1.85 / 2.97	Std / "A"	0.80 XL	6.3	10pkg/box	1118276	8.7	PS1A-12	10pkg/box	1118333
	6"	1.85 / 2.97	Std / "A"	0.80 XL9	6.4	10pkg/box	1118277	8.8	PS1A-12	10pkg/box	1118425
3/4" IPS	8"	1.85 / 2.97	Ext / "A"	0.80 XXL	3.9	5pkg/box	1118278	9.8	PS1A-12	10pkg/box	1118334
	10"-18"	1.85 / 2.97	Ext / "A"	0.80 XXL	3.9	5pkg/box	See Note 1	9.8	PS1A-12	10pkg/box	See Note 1
	1-1/4"	1.88 / 2.98	Std / "A"	0.80	6.3	10pkg/box	1118290	9.2	PS2-12	10pkg/box	1118337
	2"	1.88 / 2.98	Std / "A"	0.80	6.3	10pkg/box	1118292	9.2	PS2-12	10pkg/box	1118339
	3"	1.88 / 2.98	Std / "A"	0.80	6.3	10pkg/box	1118293	9.2	PS2-12	10pkg/box	1118340
	4"	1.88 / 2.98	Std / "A"	0.80 XL	6.3	10pkg/box	1118294	9.2	PS2-12	10pkg/box	1118341
1" CTS	6"	1.88 / 2.98	Std / "A"	0.80 XL9	6.4	10pkg/box	1118295	9.3	PS2-12	10pkg/box	1118342
	8"	1.88 / 2.98	Ext / "A"	0.80 XXL	3.9	5pkg/box	1118296	10.3	PS2-12	10pkg/box	1118343
	10"-18"	1.88 / 2.98	Ext / "A"	0.80 XXL	3.9	5pkg/box	See Note 1	10.3	PS2-12	10pkg/box	See Note 1
	1-1/4"	0.85 / 2.95	Std / "A"	0.80	6.3	10pkg/box	1118234	10.4	PS3-12	10pkg/box	1118346
	2"	0.85 / 2.95	Std / "A"	0.80	6.3	10pkg/box	1118236	10.4	PS3-12	10pkg/box	1118348
	3"	0.85 / 2.95	Std / "A"	0.80	6.3	10pkg/box	1118237	10.4	PS3-12	10pkg/box	1118349
1" IPS	4"	0.85 / 2.95	Std / "A"	0.80 XL	6.3	10pkg/box	1118238	10.4	PS3-12	10pkg/box	1118350
	6"	0.85 / 2.95	Std / "A"	0.80 XL9	6.4	10pkg/box	1118239	10.5	PS3-12	10pkg/box	1118351
	8"	0.85 / 2.95	Ext / "A"	0.80 XXL	3.9	5pkg/box	1118240	11.5	PS3-12	10pkg/box	1118352
	10"-18"	0.85 / 2.95	Ext / "A"	0.80 XXL	3.9	5pkg/box	See Note 1	11.5	PS3-12	10pkg/box	See Note 1
	1-1/4"	0.85 / 2.97	Std / "A"	0.80	6.3	10pkg/box	1118303	10.4	PS3-12	10pkg/box	1118355
	2"	0.85 / 2.97	Std / "A"	0.80	6.3	10pkg/box	1118305	10.4	PS3-12	10pkg/box	1118357
1-1/4" IPS	3"	0.85 / 2.97	Std / "A"	0.80	6.3	10pkg/box	1118306	10.4	PS3-12	10pkg/box	1118358
	4"	0.85 / 2.97	Std / "A"	0.80 XL	6.3	10pkg/box	1118307	10.4	PS3-12	10pkg/box	1118359
	6"	0.85 / 2.97	Std / "A"	0.80 XL9	6.4	10pkg/box	1118308	10.5	PS3-12	10pkg/box	1118360
	8"	0.85 / 2.97	Ext / "A"	0.80 XXL	3.9	5pkg/box	1118309	11.5	PS3-12	10pkg/box	1118361
	10"-18"	0.85 / 2.97	Ext / "A"	0.80 XXL	3.9	5pkg/box	See Note 1	11.5	PS3-12	10pkg/box	See Note 1
	1-1/4"	1.20 / 3.28	Std / "B"	0.80	6.4	10pkg/box	1118312	6.8	PS4-12	5pkg/box	1118364
2"	1.20 / 3.28	Std / "B"	0.80	6.4	10pkg/box	1118314	6.8	PS4-12	5pkg/box	1118366	
3"	1.20 / 3.28	Std / "B"	0.80	6.4	10pkg/box	1118315	6.8	PS4-12	5pkg/box	1118367	
4"	1.20 / 3.28	Std / "B"	0.80 XL	6.4	10pkg/box	1118316	6.8	PS4-12	5pkg/box	1118368	
6"	1.20 / 3.28	Std / "B"	0.80 XL9	6.5	10pkg/box	1118317	6.8	PS4-12	5pkg/box	1118369	
8"	1.20 / 3.28	Ext / "B"	0.80 XXL	3.9	5pkg/box	1118318	6.9	PS4-12	5pkg/box	1118370	
10"-18"	1.20 / 3.28	Ext / "B"	0.80 XXL	3.9	5pkg/box	See Note 1	6.9	PS4-12	5pkg/box	See Note 1	

Note 1 – Refer to Gas Distribution Technical Note PP 14.02 for cutter length limitations.

## Socket Rectangular Base HDPE

Outlet	Main Size (IPS)	Dimension A / B (in)	Chimney & Style	Cutter	No Sleeve (Non-Standard)			With Sleeve (Standard)			
					Box wt. (lbs)	Package	Part #	Box wt. (lbs)	Sleeve	Package	Part #
1/2" CTS	1-1/4"	1.73 / 2.90	Std / "A"	0.80	6.3	10pkg/bx	1117928	8.1	PS1-12	10pkg/bx	1118044
	2"	1.73 / 2.90	Std / "A"	0.80	6.3	10pkg/bx	1117930	8.1	PS1-12	10pkg/bx	1118046
	3"	1.73 / 2.90	Std / "A"	0.80	6.3	10pkg/bx	1117931	8.1	PS1-12	10pkg/bx	1118047
	4"	1.73 / 2.90	Std / "A"	0.80 XL	6.3	10pkg/bx	1117992	8.1	PS1-12	10pkg/bx	1118048
	6"	1.73 / 2.90	Std / "A"	0.80 XL9	6.4	10pkg/bx	1117993	8.2	PS1-12	10pkg/bx	1118049
	8"	1.73 / 2.90	Ext / "A"	0.80 XXL	3.9	5pkg/bx	1117995	9.2	PS1-12	10pkg/bx	1118050
	10"-18"	1.73 / 2.90	Ext / "A"	0.80 XXL	3.9	5pkg/bx	See Note 1	9.2	PS1-12	10pkg/bx	See Note 1
1/2" IPS	1-1/4"	1.85 / 2.97	Std / "A"	0.80	6.3	10pkg/bx	1117998	8.7	PS1A-12	10pkg/bx	1118053
	2"	1.85 / 2.97	Std / "A"	0.80	6.3	10pkg/bx	1118000	8.7	PS1A-12	10pkg/bx	1118055
	3"	1.85 / 2.97	Std / "A"	0.80	6.3	10pkg/bx	1118001	8.7	PS1A-12	10pkg/bx	1118056
	4"	1.85 / 2.97	Std / "A"	0.80 XL	6.3	10pkg/bx	1118002	8.7	PS1A-12	10pkg/bx	1118057
	6"	1.85 / 2.97	Std / "A"	0.80 XL9	6.4	10pkg/bx	1118003	8.8	PS1A-12	10pkg/bx	
	8"	1.85 / 2.97	Ext / "A"	0.80 XXL	3.9	5pkg/bx	1118004	9.8	PS1A-12	10pkg/bx	1118058
	10"-18"	1.85 / 2.97	Ext / "A"	0.80 XXL	3.9	5pkg/bx	See Note 1	9.8	PS1A-12	10pkg/bx	See Note 1
3/4" IPS	1-1/4"	1.88 / 2.98	Std / "A"	0.80	6.3	10pkg/bx	1118007	9.2	PS2-12	10pkg/bx	1118061
	2"	1.88 / 2.98	Std / "A"	0.80	6.3	10pkg/bx	1118009	9.2	PS2-12	10pkg/bx	1118063
	3"	1.88 / 2.98	Std / "A"	0.80	6.3	10pkg/bx	1118010	9.2	PS2-12	10pkg/bx	1118064
	4"	1.88 / 2.98	Std / "A"	0.80 XL	6.3	10pkg/bx	1118011	9.2	PS2-12	10pkg/bx	1118065
	6"	1.88 / 2.98	Std / "A"	0.80 XL9	6.4	10pkg/bx	1118012	9.3	PS2-12	10pkg/bx	1118066
	8"	1.88 / 2.98	Ext / "A"	0.80 XXL	3.9	5pkg/bx	1118013	10.3	PS2-12	10pkg/bx	1118067
	10"-18"	1.88 / 2.98	Ext / "A"	0.80 XXL	3.9	5pkg/bx	See Note 1	10.3	PS2-12	10pkg/bx	See Note 1
1" CTS	1-1/4"	0.85 / 2.95	Std / "A"	0.80	6.3	10pkg/bx	1118016	10.4	PS3-12	10pkg/bx	1118070
	2"	0.85 / 2.95	Std / "A"	0.80	6.3	10pkg/bx	1118018	10.4	PS3-12	10pkg/bx	1118072
	3"	0.85 / 2.95	Std / "A"	0.80	6.3	10pkg/bx	1118019	10.4	PS3-12	10pkg/bx	1118073
	4"	0.85 / 2.95	Std / "A"	0.80 XL	6.3	10pkg/bx	1118020	10.4	PS3-12	10pkg/bx	1118074
	6"	0.85 / 2.95	Std / "A"	0.80 XL9	6.4	10pkg/bx	1118021	10.5	PS3-12	10pkg/bx	1118075
	8"	0.85 / 2.95	Ext / "A"	0.80 XXL	3.9	5pkg/bx	1118022	11.5	PS3-12	10pkg/bx	1118076
	10"-18"	0.85 / 2.95	Ext / "A"	0.80 XXL	3.9	5pkg/bx	See Note 1	11.5	PS3-12	10pkg/bx	See Note 1
1" IPS	1-1/4"	0.85 / 2.97	Std / "A"	0.80	6.3	10pkg/bx	1118025	10.4	PS3-12	10pkg/bx	1117905
	2"	0.85 / 2.97	Std / "A"	0.80	6.3	10pkg/bx	1118027	10.4	PS3-12	10pkg/bx	1117907
	3"	0.85 / 2.97	Std / "A"	0.80	6.3	10pkg/bx	1118028	10.4	PS3-12	10pkg/bx	1117908
	4"	0.85 / 2.97	Std / "A"	0.80 XL	6.3	10pkg/bx	1118029	10.4	PS3-12	10pkg/bx	1117909
	6"	0.85 / 2.97	Std / "A"	0.80 XL9	6.4	10pkg/bx	1118030	10.5	PS3-12	10pkg/bx	1117910
	8"	0.85 / 2.97	Ext / "A"	0.80 XXL	3.9	5pkg/bx	1118031	11.5	PS3-12	10pkg/bx	1118102
	10"-18"	0.85 / 2.97	Ext / "A"	0.80 XXL	3.9	5pkg/bx	See Note 1	11.5	PS3-12	10pkg/bx	See Note 1
1-1/4" IPS	1-1/4"	1.20 / 3.28	Std / "B"	0.80	6.4	10pkg/bx	1118034	12.7	PS4-12	10pkg/bx	1118105
	2"	1.20 / 3.28	Std / "B"	0.80	6.4	10pkg/bx	1118036	12.7	PS4-12	10pkg/bx	1118107
	3"	1.20 / 3.28	Std / "B"	0.80	6.4	10pkg/bx	1118037	12.7	PS4-12	10pkg/bx	1118108
	4"	1.20 / 3.28	Std / "B"	0.80 XL	6.4	10pkg/bx	1118039	12.7	PS4-12	10pkg/bx	1118109
	6"	1.20 / 3.28	Std / "B"	0.80 XL9	6.5	10pkg/bx	1118040	12.8	PS4-12	10pkg/bx	1118110
	8"	1.20 / 3.28	Ext / "B"	0.80 XXL	3.9	5pkg/bx	1118041	13.5	PS4-12	10pkg/bx	1118111
	10"-18"	1.20 / 3.28	Ext / "B"	0.80 XXL	3.9	5pkg/bx	See Note 1	13.5	PS4-12	10pkg/bx	See Note 1

Note 1 – Refer to Gas Distribution Technical Note PP 14.02 for cutter length limitations.