

# High Density Polyethylene (HDPE) Electrofusion Fittings

## HDPE Electrofusion Branch Saddles



HDPE Electrofusion Branch Saddle Fittings are available to meet your needs in compliance with ASTM D2513, F1055, F2897, and where applicable, AWWA C906 product standards.

Electrofusion Fittings are manufactured from a PE 4710/PE100 resin as listed in PPI-TR4.

HDPE Electrofusion Fitting Material Physical Properties		
Property	Standard	Typical Value†
Material Designation	ASTM F412	PE4710
Cell Classification	ASTM D3350	445574C (black)
Density [4]	ASTM D4883	0.959 g/cc (black)
Flow Rate (HLMI, Condition 190/21.6)	ASTM D1238	8.0 g/10 min
Flexural Modulus [5]	ASTM D790	150,000 psi
Tensile Strength [5]	ASTM D638 Type IV	3625 psi
SCG (PENT) [7]	ASTM F1473	10,000 hours
HDB at 73°F (23°C) [4]	ASTM D2837	1600 psi
Color; UV stabilizer [C]	ASTM D3350	Black
Pressure Class (Gas)	49 CFR 192	125 psi
Pressure Class (Water)	AWWA C906	160 psi
Ambient Fusion Temperature	Manufacturer Specification	14°F-113°F

†This is not a product specification and does not guarantee or establish specific minimum or maximum values or manufacturing tolerance for material or piping products to be supplied. Values obtained from tests of specimens taken from piping product may vary from these typical values.

## HDPE Electrofusion Branch Saddle



**3" to 6" Mains  
and 2" Outlets**

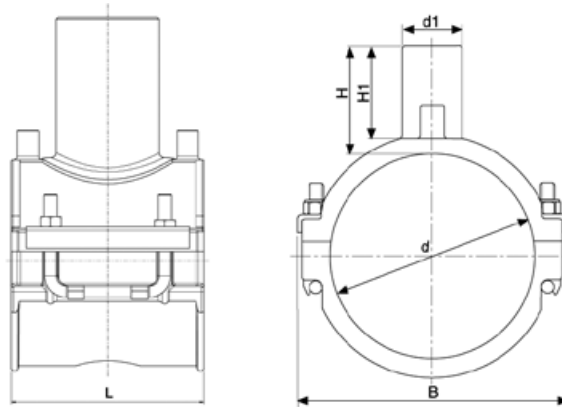


**8" and Larger Mains  
and 3" Outlets**

Electrofusion 2" Outlet Branch Saddle Size	Weight, lbs	Box Quantity	Part Number	Manufacturer Reference
3 IPS EF X 2 IPS DR11	1.29	4	1120800	5958BB030300 20
4 IPS EF X 2 IPS DR11	1.55	4	1120801	5958BB030400 20
6 IPS EF X 2 IPS DR11	1.78	4	1120802	5958BB030600 20
8 IPS EF X 2 IPS DR11	1.93	4	1120803	5958BB030800 20
10 IPS EF X 2 IPS DR11	2.13	4	1120978	5958BB031000 20
12 IPS EF X 2 IPS DR11	2.13	4	1120980	5958BB031200 20

Electrofusion 3" Outlet Branch Saddle Size	Weight, lbs	Box Quantity	Part Number	Manufacturer Reference
3 IPS EF X 3 IPS DR11	1.29	4	1120974	5958BB03030030
4 IPS EF X 3 IPS DR11	2.18	4	1120975	5958BB03040030
6 IPS EF X 3 IPS DR11	2.20	4	1120976	5958BB03060030
8 IPS EF X 3 IPS DR11	2.09	4	1120977	5958BB03080030
10 IPS EF X 3 IPS DR11	2.35	4	1120979	5958BB03100030
12 IPS EF X 3 IPS DR11	2.35	4	1120981	5958BB03120030

## HDPE Electrofusion Branch Saddle



Electrofusion Branch Saddle Size	Dimensions B, inch	Dimensions H, inch	Dimensions H1, inch	Dimensions L, inch	$\Omega$ @ 20°C, ohms	Fuse Time, sec	Fuse Volts	Cool Time, min
3 IPS EF X 2 IPS DR11	4.76	3.31	3.31	4.65	2.72	100	38	10
4 IPS EF X 2 IPS DR11	6.26	3.30	3.30	4.65	3.57	150	34	10
6 IPS EF X 2 IPS DR11	8.50	3.29	3.29	4.65	8.73	240	40	10
8 IPS EF X 2 IPS DR11	7.08	3.31	3.31	6.93	2.63	310	38	10
10 IPS EF X 2 IPS DR11	7.11	3.31	3.31	6.93	2.97	280	40	10
12 IPS EF X 2 IPS DR11	7.11	3.31	3.31	6.93	2.63	460	32	15
3 IPS EF X 3 IPS DR11	5.48	3.49	3.49	6.93	1.42	70	40	10
4 IPS EF X 3 IPS DR11	6.16	3.49	3.49	6.93	1.53	90	40	10
6 IPS EF X 3 IPS DR11	6.84	3.49	3.49	6.93	2.63	270	37	10
8 IPS EF X 3 IPS DR11	7.08	3.48	3.48	6.93	2.63	310	38	10
10 IPS EF X 3 IPS DR11	7.11	3.49	3.49	6.93	2.97	280	40	10
12 IPS EF X 3 IPS DR11	7.11	3.49	3.49	6.93	2.63	460	32	15

Before using this product, the user is advised and cautioned to make its own determination and assessment of the safety and suitability of the product for the specific use in question and is further advised against relying on the information contained herein as it may relate to any specific use or application. It is the ultimate responsibility of the user to ensure that the product is suited and the information is applicable to the user's specific application. Chevron Phillips Chemical Company LP does not make, and expressly disclaims, all warranties, including warranties of merchantability or fitness for a particular purpose, regardless of whether oral or written, express or implied, or allegedly arising from any usage of any trade or from any course of dealing in connection with the use of the information contained herein or the product itself. The user expressly assumes all risk and liability, whether based in contract, tort or otherwise, in connection with the use of the information contained herein or the product itself. Further, information contained herein is given without reference to any intellectual property issues, as well as federal, state or local laws which may be encountered in the use thereof. Such questions should be investigated by the user.