

High Density Polyethylene (HDPE) Electrofusion Fittings

HDPE Electrofusion Coupling



HDPE Electrofusion Coupling Fittings are available to meet your needs in compliance with ASTM D2513, F1055, F2897, and where applicable, AWWA C906 product standards.

Electrofusion Fittings are manufactured from a PE 4710/PE100 resin as listed in PPI-TR4.

HDPE Electrofusion Fitting Material Physical Properties		
Property	Standard	Typical Value†
Material Designation	ASTM F412	PE4710
Cell Classification	ASTM D3350	445574C (black)
Density [4]	ASTM D4883	0.959 g/cc (black)
Flow Rate (HLMI, Condition 190/21.6)	ASTM D1238	8.0 g/10 min
Flexural Modulus [5]	ASTM D790	150,000 psi
Tensile Strength [5]	ASTM D638 Type IV	3625 psi
SCG (PENT) [7]	ASTM F1473	10,000 hours
HDB at 73°F (23°C) [4]	ASTM D2837	1600 psi
Color; UV stabilizer [C]	ASTM D3350	Black
Pressure Class (Gas)	49 CFR 192	125 psi
Pressure Class (Water) (< 2") (≥ 2")	AWWA C906	160 psi 200 psi
Ambient Fusion Temperature	Manufacturer Specification	14°F-113°F

†This is not a product specification and does not guarantee or establish specific minimum or maximum values or manufacturing tolerance for material or piping products to be supplied. Values obtained from tests of specimens taken from piping product may vary from these typical values.

HDPE Electrofusion Coupling



1/2" to 2"

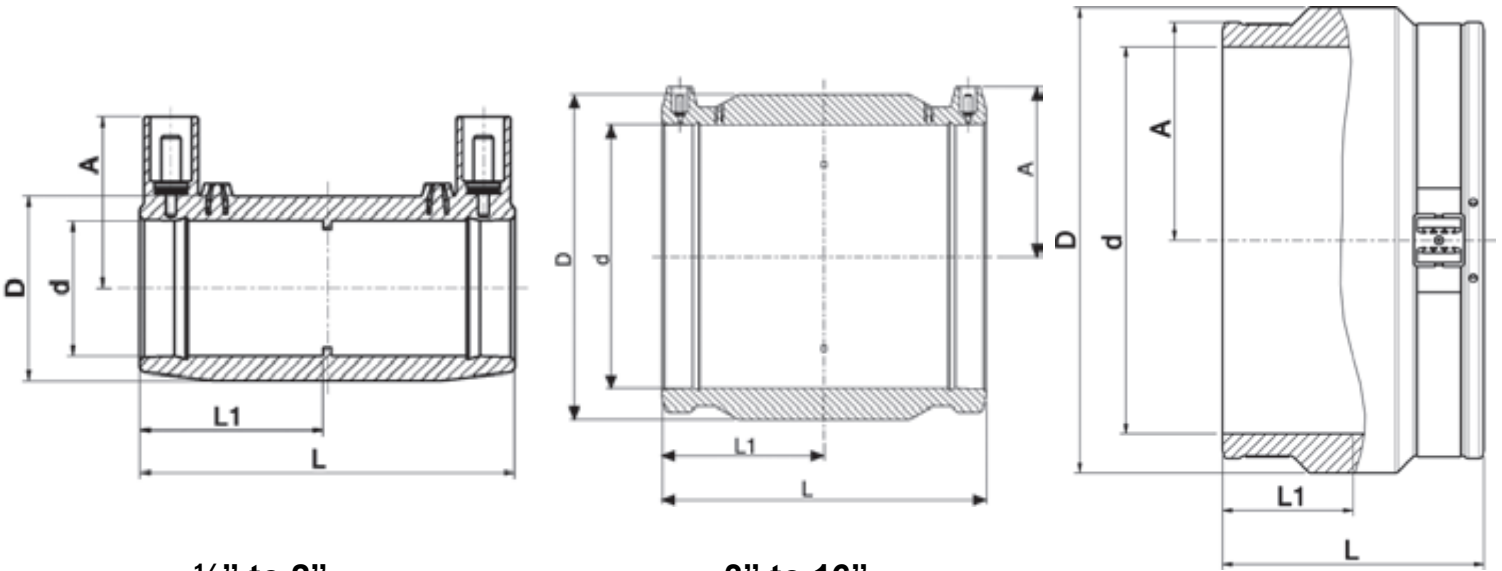


3" to 16"

EF Coupling Size	Weight, lbs	Box Quantity	Part Number	Manufacturer Reference
1/2" CTS	0.13	10	1120791	5901U004005
3/4" CTS	0.1	10	1120945	5901U004007
1" CTS	0.16	10	1120792	5901U004010
1 1/4" CTS	0.27	10	1120946	5901U004013
1/2" IPS	0.13	10	1120701	5901B004005
3/4" IPS	0.09	10	1120782	5901B004007
1" IPS	0.145	10	1120784	5901B004010
1 1/4" IPS	0.2	10	1120885	5901B004013
1 1/2" IPS	0.36	10	1120886	5901B004015
2" IPS	0.55	4	1120785	5901B004020
3" IPS	1.32	4	1120786	5901B004030
4" IPS	1.72	4	1120787	5901B004040

EF Coupling Size	Weight, lbs	Box Quantity	Part Number	Manufacturer Reference
6" IPS	4.08	1	1120788	5901B004060
8" IPS	10.9	1	1120789	5901B004080
10" IPS	16.3	1	1120790	5901B003120
12" IPS	17.8	1	1120838	5901B004100
14" IPS	22.9	1	1120887	5901B003140
16" IPS	29.2	1	1120888	5901B003160
18" IPS	31.3	1	1120889	5901B003180
20" IPS	50.9	1	1120890	5901B003200
22" IPS	70.5	1	1120891	5901B003220
24" IPS	99.2	1	1120942	5901B003240
*28" IPS	139	1	1120943	5901B003280
*30" IPS	193	1	1120944	5901B003300

*Does not meet ASTM D2513



1/2" to 2"

3" to 16"

18" to 30"

Electrofusion Coupling Size	Dimensions d, inch	Dimensions D, inch	Dimensions L, inch	Dimensions L1, inch	Dimensions A, inch	Ω @ 20°C, ohms	Fuse Time, sec	Fuse Volts	Cool Time, min
1/2" CTS	0.63	1.38	2.8	1.22	1.5	3.67	20	40	5
3/4" CTS	0.88	1.42	2.8	1.34	1.5	3.98	35	40	5
1" CTS	1.13	1.73	3.15	1.54	1.65	2.5	30	40	5
1 1/4" CTS	1.38	2.2	3.54	1.71	1.85	1.84	50	40	5
1/2" IPS	0.84	1.42	2.8	1.36	1.51	3.80	25	40	5
3/4" IPS	1.05	1.42	2.8	1.36	1.51	3.97	35	40	5
1" IPS	1.32	1.77	3.15	1.54	1.66	2.02	30	40	5
1 1/4" IPS	1.66	2.17	3.54	1.71	1.85	2.05	60	40	5
1 1/2" IPS	1.90	2.68	3.94	1.91	2.01	2.50	120	40	10
2" IPS	2.4	3.23	4.61	2.24	2.24	1.33	80	40	10
3" IPS	3.52	4.65	5.87	2.87	2.72	0.832	110	40	10
4" IPS	4.52	5.51	6.46	3.15	3.19	0.598	140	40	10
6" IPS	6.63	8.15	7.99	3.94	4.28	0.692	400	40	10
8" IPS	8.64	11	9.41	4.65	5.51	0.673	600	40	20
10" IPS	12.77	15.3	11.2	5.51	7.36	0.512	1020	40	45
12" IPS	10.77	13.4	10.8	5.33	6.37	0.557	900	40	30
14" IPS	14	16.9	11	5.51	7.95	0.521	1320	40	45
16" IPS	16	19.1	11.7	5.83	8.96	0.513	1800	42	45
18" IPS	18	21.4	12.2	6.1	10	0.726	1140 (x2)*	40	30
20" IPS	20	23.74	14.8	7.4	11.1	0.621	1500 (x2)*	40	45
22" IPS	22	26.53	14.8	7.4	12.5	0.519	1620 (x2)*	40	60
24" IPS	24	28.34	16.5	8.23	14	0.518	1800 (x2)*	40	60
28" IPS	28	33.6	18.58	9.29	15.74	0.519	2700 (x2)*	42	70
30" IPS	30	36.69	19.69	9.84	16.89	0.498	2640 (x2)*	42	65

*Each side of the coupler is fused separately (x2)

Before using this product, the user is advised and cautioned to make its own determination and assessment of the safety and suitability of the product for the specific use in question and is further advised against relying on the information contained herein as it may relate to any specific use or application. It is the ultimate responsibility of the user to ensure that the product is suited and the information is applicable to the user's specific application. Chevron Phillips Chemical Company LP does not make, and expressly disclaims, all warranties, including warranties of merchantability or fitness for a particular purpose, regardless of whether oral or written, express or implied, or allegedly arising from any usage of any trade or from any course of dealing in connection with the use of the information contained herein or the product itself. The user expressly assumes all risk and liability, whether based in contract, tort or otherwise, in connection with the use of the information contained herein or the product itself. Further, information contained herein is given without reference to any intellectual property issues, as well as federal, state or local laws which may be encountered in the use thereof. Such questions should be investigated by the user.