

DriscoPlex[®] HDPE Molded Fittings

Molded Socket Reducer Tee



DriscoPlex[®] HDPE Molded Fittings are available to meet your needs in compliance with ASTM D2513, D2683, F2897 and AWWA C901 and C906 product standards.

Made in the USA and produced from high quality HDPE material, DriscoPlex[®] Fittings are manufactured from NSF-61/Annex G approved PE 4710 resin as listed in PPI-TR4.

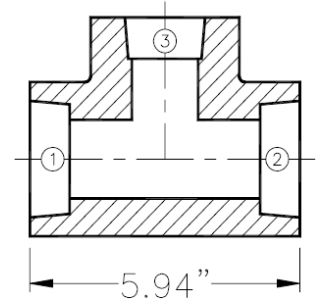
DriscoPlex[®] PE Fittings Advantages:

- ✓ Durable
- ✓ Leak Tight
- ✓ Excellent Flow
- ✓ Easy Install
- ✓ Light Weight
- ✓ Impact Resistant
- ✓ Fusibility
- ✓ Corrosion Resistant
- ✓ Chemical Resistant
- ✓ Life Cycle Cost
- ✓ Toughness
- ✓ Environmental

DriscoPlex[®] PE Fittings Material Physical Properties

Property	Standard	HDPE Typical Values
Material Designation	ASTM F714	PE 4710
Cell Classification	ASTM D3350	445574C
Density [4] [2]	ASTM D1505	0.960 g/cc
Melt Index [4] [3]	ASTM D1238	0.08 g/10 min
Flexural Modulus [5] [4]	ASTM D790	>120,000 psi
Tensile Strength [5] [3]	ASTM D638 Type IV	>3500 psi
SCG (PENT) [7]	ASTM F1473	>2000 hours
HDB at 73°F (23°C) [4] [3]	ASTM D2837	1600 psi
Color; UV stabilizer [C] [E]	ASTM D3350	Black --

This is not a product specification and does not guarantee or establish specific minimum or maximum values or manufacturing tolerance for material or piping products to be supplied. Values obtained from tests of specimens taken from piping product may vary from these typical values.



Molded Socket Reducer Tee

Dimensions 1 x 2 x 3 (in)	Package Quantity	Package Weight (lbs)	Box Quantity	Part Number
				HDPE
<u>IPS x IPS x IPS</u>				
1 1/4" x 3/4" x 3/4"	10	0.25	10	1109084
1 1/4" x 1" x 1"	10	0.20	10	1109085
1 1/4" x 1 1/4" x 3/4"	10	0.25	10	1109086
1 1/4" x 1 1/4" x 1"	10	0.25	10	1109087
2" x 1 1/4" x 1 1/4"	10	0.55	10	1010154
2" x 2" x 3/4"	10	0.70	10	1007509
2" x 2" x 1"	10	0.70	10	1075991
2" x 2" x 1 1/4"	10	0.60	10	1010155
<p>This product flyer is intended for reference purposes. It should not be used in place of the advice from a licensed Professional Engineer. Additional fitting sizes and DR available. Contact Performance Pipe.</p>				