

DriscoPlex[®] HDPE Molded Fittings

Mechanical Joint Adapter and Kit



DriscoPlex[®] HDPE Molded Fittings are available to meet your needs in compliance with ASTM D3261 and AWWA C901 and C906 product standards.

Made in the USA and produced from high quality HDPE material, DriscoPlex[®] Fittings are manufactured from NSF-61 approved PE 4710 resin as listed in PPI-TR4.

DriscoPlex[®] PE Fittings Advantages:

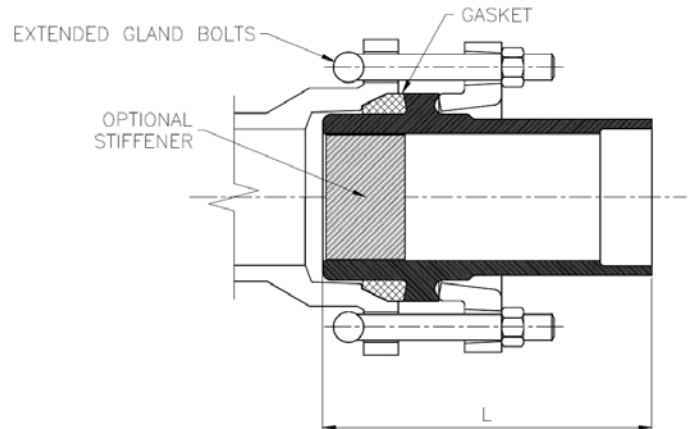
- ✓ Durable
- ✓ Leak Tight
- ✓ Excellent Flow
- ✓ Easy Install
- ✓ Light Weight
- ✓ Impact Resistant
- ✓ Fusibility
- ✓ Corrosion Resistant
- ✓ Chemical Resistant
- ✓ Life Cycle Cost
- ✓ Toughness
- ✓ Environmental

DriscoPlex [®] PE Fittings Material Physical Properties		
Property	Standard	HDPE Typical Values
Material Designation	ASTM F714	PE 4710
Cell Classification	ASTM D3350	445574C
Density [4] [2]	ASTM D1505	0.960 g/cc
Melt Index [4] [3]	ASTM D1238	0.08 g/10 min
Flexural Modulus [5] [4]	ASTM D790	>120,000 psi
Tensile Strength [5] [3]	ASTM D638 Type IV	>3500 psi
SCG (PENT) [7]	ASTM F1473	>2000 hours
HDB at 73°F (23°C) [4] [3]	ASTM D2837	1600 psi
Color; UV stabilizer [C] [E]	ASTM D3350	Black -

This is not a product specification and does not guarantee or establish specific minimum or maximum values or manufacturing tolerance for material or piping products to be supplied. Values obtained from tests of specimens taken from piping product may vary from these typical values.

Mechanical Joint Adapter Kit

Mechanical Joint Adapter Kit (IPS and DIPS)	AWWA C153 Bolt Size	Weight (lbs)	Part Number
3"		7.16	1087137
4"	4.5	7.24	1087138
6"	5	10.86	1084314
8"	7	13.44	1084315
10"	7	17.82	1087139
12"	7	20.1	1084313



Mechanical Joint Adapter

Mechanical Joint Adapter	DR/Wall	Dimensions L (in)	Bolt Length	Number of Bolts	With Stiffener			Without Stiffener	
					HDPE	FM	Package Weight (lbs)	HDPE	Package Weight (lbs)
<u>IPS</u>									
3"	DR 9	10.245	4.5	4	1098277	-	2.45	1098276	1.95
	DR 11				1098275	-	2.22	1098274	1.90
4"	DR 9	10.245	4.5	4	1098312	1096714	3.55	1098281	3.25
	DR 11				1098280	1095505	3.15	1098279	2.85
6"	DR 9	11.245	5	4	1098316	1094715	7.60	1098315	6.80
	DR 11				1098314	1099766	6.90	1098313	6.15
8"	DR 9	12.745	7	6	1098320	1094714	13.20	1098319	12.55
	DR 11				1098318	1099792	12.34	1098317	10.90
10"	DR 9	13.745	7	8	1080719	1073227	21.60	1076094	20.20
	DR 11				1098332	1099799	18.65	1098321	17.60
12"	DR 9	14.72	7	8	1098284	1072696	29.00	1098283	-
	DR 11				1098285	1100538	29.40	1100177	27.00
<u>DIPS</u>									
4"	DR 11	10.245	4.5	4	1089405	-	3.2	1089404	2.8
6"	DR 11	11.245	5	4	1092183	-	7.00	1088024	6.20
8"	DR 11	12.745	7	6	1091422	-	12.35	1087249	11.45
10"	DR 11	13.745	7	8	1032660	-	19.5	1075280	18.70
12"	DR 11	14.72	7	8	1032661	-	29.85	1074314	28.30

This product flyer is intended for reference purposes. It should not be used in place of the advice from a licensed Professional Engineer. Additional fitting sizes and DR available. Contact Performance Pipe. www.performancepipe.com