

DriscoPlex® HDPE Molded Fitting

Water Tapping Tee (Standard and High Volume)



DriscoPlex® HDPE Molded Fittings are available to meet your needs in compliance with ASTM D2513, D3261, F2897 and AWWA C906 product standards.

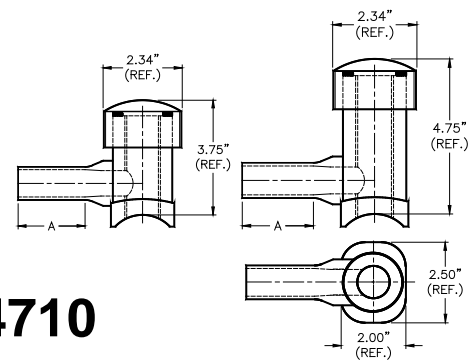
Produced from only the highest rated HDPE material, DriscoPlex® Fittings are manufactured from NSF-61 approved PE 4710 resin as listed in PPI-TR4.

DriscoPlex® PE Fitting Advantages:

- ✓ Durable
- ✓ Leak Tight
- ✓ Excellent Flow
- ✓ Easy Install
- ✓ Light Weight
- ✓ Impact Resistant
- ✓ Fusibility
- ✓ Corrosion Resistant
- ✓ Chemical Resistant
- ✓ Life Cycle Cost
- ✓ Toughness
- ✓ Environmental

DriscoPlex® PE Fittings Material Physical Properties		
Property	Standard	HDPE Typical Values
Material Designation	ASTM F412	PE4170
Cell Classification	ASTM D3350	445574C (Black)
Density [4]	ASTM D1505	0.960 g/cc (Black)
Melt Index [4]	ASTM D1238	0.08 g/10 min
Flexural Modulus [5]	ASTM D790	>120,000 psi
Tensile Strength [5]	ASTM D638 Type IV	>3500 psi
SCG (PENT) [7]	ASTM F1473	10,000 hours
HDB at 73°F (23°C) [4]	ASTM D2837	1600 psi
Color; UV stabilizer [C]	ASTM D3350	Black

This is not a product specification and does not guarantee or establish specific minimum or maximum values or manufacturing tolerance for material or piping products to be supplied. Values obtained from tests of specimens taken from piping product may vary from these typical values.

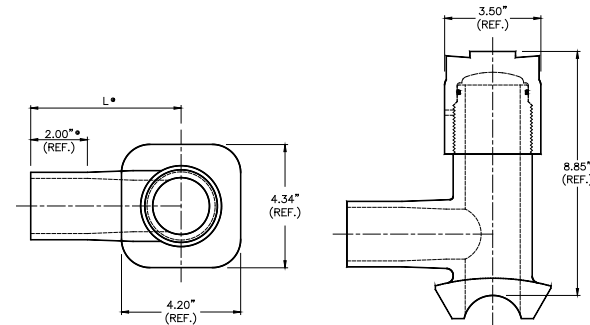


Standard Water Tap Tee

Water Butt Rectangular Base HDPE - PE 4710

Outlet	Main Size (IPS)	DR/Wall	Dimension A (in)	Protective Sleeve	IPS Base				DIPS Base			
					Weight (lbs)	Cutter	Package	Part #	Weight (lbs)	Cutter	Package	Part #
3/4" CTS	2"	0.090	1.97	PS1A	3.90	0.8 XL	5pkg/bx	1084564	-	-	-	-
	3"	0.090			0.72	0.8 XXL	5pkg/bx	1068592	-	-	-	-
	4"	0.090			0.72	0.8 XXL	5pkg/bx	1068593	-	0.80	10pkg/bx	-
	6"	0.090			0.75	0.8 XXL	5pkg/bx	1077905	-	0.8 XL	10pkg/bx	-
	8"	0.090			-	0.8 XXL	10pkg/bx	-	0.39	0.8 XXL	5pkg/bx	1049124
	10"	0.090			-	0.8 XXL	10pkg/bx	-	0.59	0.8 XXL	5pkg/bx	1077177
	12"	0.090			1.50	0.8 XXL	5pkg/bx	1072321	0.40	0.8 XXL	5pkg/bx	1049122
1" CTS	2"	0.102	2.48	PS1A	0.55	0.8 XL	10pkg/bx	1105047	-	-	-	-
	3"	0.102			0.61	0.8 XXL	5pkg/bx	1103115	-	-	-	-
	4"	0.102			0.61	0.8 XXL	10pkg/bx	1112294	-	0.80	10pkg/bx	-
	6"	0.102			-	0.8 XXL	10pkg/bx	-	0.60	0.8 XL	5pkg/bx	1075530
	8"	0.102			0.68	0.8 XXL	5pkg/bx	1096381	0.71	0.8 XXL	5pkg/bx	1083598
	10"	0.102			-	0.8 XXL	10pkg/bx	-	0.71	0.8 XXL	5pkg/bx	1080488
	12"	0.102			-	0.8 XXL	10pkg/bx	-	0.71	0.8 XXL	5pkg/bx	1049462
1" IPS	2"	DR 11	2.70	PS3	0.61	0.8 XL	5pkg/bx	1099032	-	-	-	-
	3"	DR 11			0.52	0.8 XXL	5pkg/bx	1103901	-	-	-	-
	4"	DR 11			0.52	0.8 XXL	5pkg/bx	1099037	-	0.8 XXL	10pkg/bx	-
	6"	DR 11			0.52	0.8 XXL	5pkg/bx	1099040	1.22	0.8 XXL	10pkg/bx	1049700
	8"	DR 11			0.76	0.8 XXL	5pkg/bx	1099041	0.59	0.8 XXL	5pkg/bx	1049782
	10"	DR 11			0.66	0.8 XXL	5pkg/bx	1099043	0.38	0.8 XXL	10pkg/bx	1086227
	12"	DR 11			0.66	0.8 XXL	5pkg/bx	1099045	1.02	0.8 XXL	5pkg/bx	1049763

High Volume Water Tap Tee Water Butt Square Base HDPE - PE 4710



Outlet	Main Size (IPS)	DR/Wall	Dimension L (in)	Protective Sleeve	IPS Base			DIPS Base		
					Weight (lbs)	Cutter	Package	Weight (lbs)	Cutter	Package
2" IPS	3"	DR 11	5.30	PS5 or PS6	5.8	1.880 XL	6pkg/bx	5.8	1.880 XL	6pkg/bx
	4"	DR 11				1.880 XL	6pkg/bx		1.880 XL	6pkg/bx
	6"	DR 11				1.880 XL	4pkg/bx		1.880 XL	6pkg/bx
	8"	DR 11				1.880 XL	6pkg/bx		1.880 XL	6pkg/bx
	10"	DR 11				1.880 XL	6pkg/bx		1.880 XL	6pkg/bx
	12"	DR 11				1.880 XL	6pkg/bx		1.880 XL	6pkg/bx