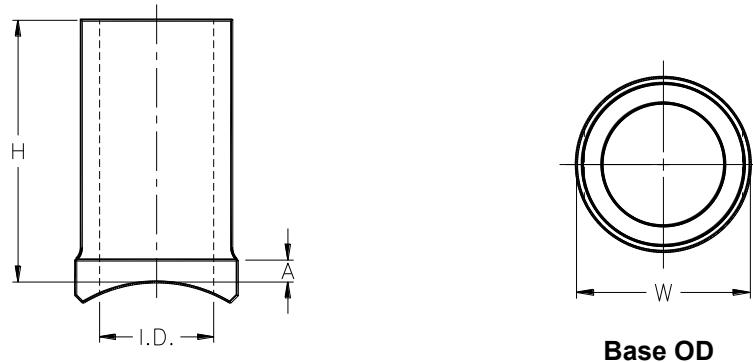


## Branch Saddles / Butt Outlet / Round Base

Produced to ASTM D2513 & D3261  
and AWWA C901-02 & C906-99



Main Size (Nominal) (IPS / DIPS)	Outlet Size	DR	Dimensions (in)				Package Quantity	Package Weight (lbs.)	Box Quantity	CSA <sup>1</sup>	FM		Reference Number
			H	W	ID	A					150	200	
1 1/4" - 24"	3/4" IPS	DR 9	3.10	1.50	0.76	0.50	10	1.6	50				*M*BSDL*
		DR 11	3.10	1.50	0.81	0.50		1.4					
	1" IPS	DR 9	3.10	1.75	0.95	0.50		1.7					
		DR 11	3.10	1.75	1.02	0.50		1.5					
3" - 24"	1 1/4" IPS	DR 11	3.30	1.81	1.29	0.25	10	2.0	50				
	1 1/2" IPS	DR 11	3.50	2.15	1.47	0.35		2.4					
		DR 9	3.68	2.61	1.73	0.35		3.1			x		
	2" IPS	DR 11	3.34	2.61	1.85	0.35		3.1		x <sup>2</sup>	x		
4" - 24"	3" IPS	DR 7			2.48	0.63	10	9.0	10			x	
		DR 9	4.13	5.00	2.68			9.0		x <sup>2</sup>	x		
		DR 11			2.86								
6" - 24"	4" IPS	DR 7			3.24	0.63	1	11.0	1			x	
		DR 9	4.13	5.00	3.44			11.0		x <sup>3</sup>	x		
		DR 11			3.68								
8" - 24"	6" IPS	DR 11	5.85	7.00	4.51	0.75	1	5.0			x		
10" - 24"	8" IPS	DR 11	8.00	9.43	5.75	0.75	1	6.0			x		

<sup>1</sup> - CSA and IAPMO available as DriscoPlex<sup>®</sup> 6500 MDPE materials ONLY up thru 8" mains.

<sup>2</sup> - For main sizes 4, 6 & 8" ONLY.

<sup>3</sup> - For main sizes 6 & 8" ONLY.

x - Indicates certification/approval for application or test at additional charge.

Refer to Bulletin PP 11.04 if Protective Sleeves are required.

Drawing Nos. CU70B714