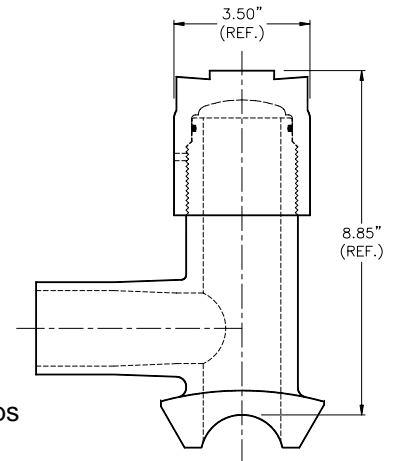


High Volume Water Tapping Tee*
O-Ring Seal
Butt/Outlet
Extended Chimney
Square Base

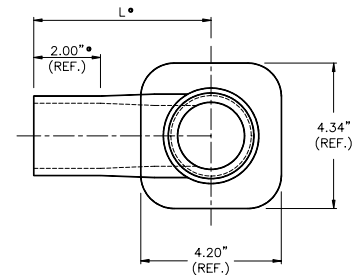
Produced to **ASTM D3261**
and **AWWA C901-02**

Brass cutters and black caps



Main Size (Nominal) (IPS / DIPS)	Outlet Size	Butt Outlet DR/Wall	Dimension L (in)	Protective Sleeves	Package Weight for Ext. Chimney (lbs.)		Reference Number
					With Sleeve	Without Sleeve	
2 - 16" ^A	1 1/4" CTS	0.121	5.9"	PS5	35.2	25.2	*M*HVBTT*
	1 1/4" IPS	DR 9	5.3"		35.2	25.2	
		DR 11			35.2	25.2	
	2" IPS	DR 9	5.3"	PS5 or 6	36.6	25.6	
		DR 11		34.6	24.6		

- ^A - See Bulletin PP 11.03 for cutter limitations
 - Available in HDPE Only.
 - 24" Sleeve supplied with list price above
 - Standard Package Quantity-6
 - Drawing No. CU70D360



NOTE

Refer to Bulletin PP 11.02 for High Volume Tapping Tee Accessories
 Refer to Bulletin PP 11.04 for additional Sleeve sizes

*DriscoPlex[®] tapping tees and cutters are designed and intended to tap polyethylene mains of wall thickness as defined in PP11.03. Special precautions are necessary when working in gaseous environments or elevated temperatures. Consult your Operations and Safety Manuals for specific recommendations. The use of these tapping tees and cutters beyond this scope is at the user's own risk.