

High Volume Gas Tapping Tee*

O-Ring Seal

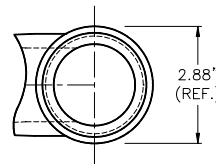
Butt Outlet

Standard/Extended Chimney

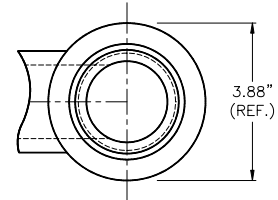
Standard & Large Round Base

Produced to ASTM D2513 and D3261

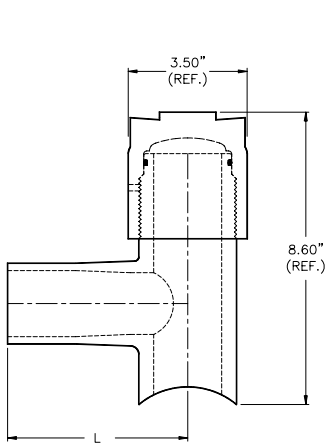
Standard round base



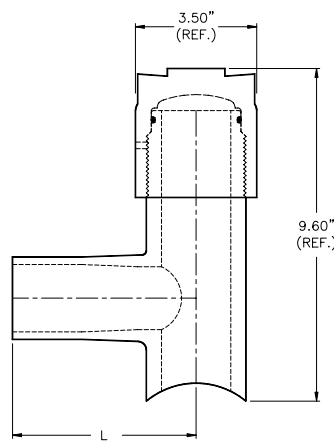
Large round base for mains 4" and up



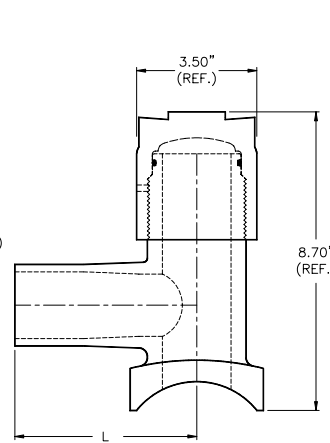
Standard round base
Standard Chimney



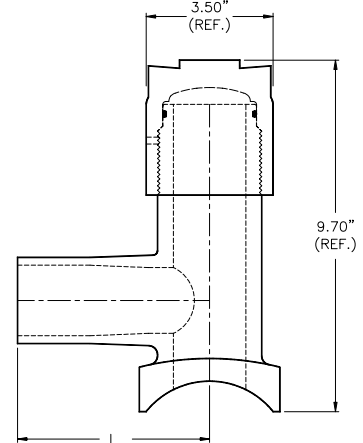
Standard round base
Extended Chimney



Large round base
for mains 4" and up
Standard Chimney



Large round base
for mains 4" and up
Extended Chimney



Main Size	Outlet Size	Butt Outlet DR/Wall	Dimension L (in)	Protective Sleeves	Package Weight for Std. Base (lbs.)		Package Weight for ≥4" Main LRB (lbs.)		Reference Number
					With Sleeve	Without Sleeve	With Sleeve	Without Sleeve	
2" - 18" IPS ¹	1 1/4" CTS	0.121	5.9	PS5	29.5	19.5	30.3	20.3	*M*HVBTT*
	1 1/4" IPS	DR 9	5.3		29.0	19.0	30.2	20.2	
		DR 11			28.5	18.5	29.7	19.7	
4" - 18" IPS ¹	2" IPS	DR 9	5.3	PS5	30.0	20.0	30.8	20.8	
		DR 11			30.0	20.0	30.5	20.5	

¹ - See Bulletin PP 11.03 for cutter limitations.
- Drawing No. CU70D354 and CU70D-360

Standard Package Quantity - 6
24" Sleeve supplied with list price above
Refer to Bulletin PP 11.04 for additional Sleeve sizes

NOTE

Refer to Bulletin PP 11.02 for High Volume Tapping Tee Accessories

*DriscoPlex® tapping tees and cutters are designed and intended to tap polyethylene mains of wall thickness as defined in PP11.03. Special precautions are necessary when working in gaseous environments or elevated temperatures. Consult your Operations and Safety Manuals for specific recommendations. The use of these tapping tees and cutters beyond this scope is at the user's own risk.