

High Volume Gas Tapping Tee*

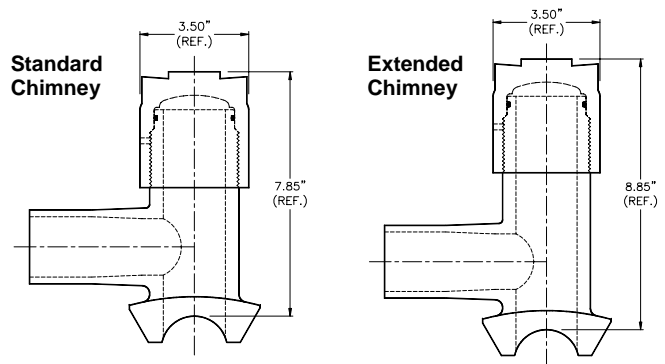
O-Ring Seal

Butt/Socket Outlet

Standard/Extended Chimney

Square Base

Produced to ASTM D2513, D3261 or D2683

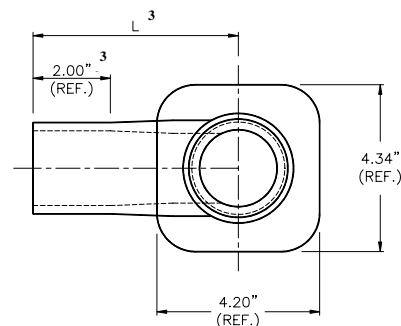


Main Size	Outlet Size	Butt Outlet DR/Wall	Dimension L (in)	Protective Sleeves	Package Weight for Std. Chimney (lbs.)		Package Weight for Ext. Chimney (lbs.)		Reference Number	
					With Sleeve	Without Sleeve	With Sleeve	Without Sleeve		
2" - 18" IPS ¹	1 1/4" CTS	0.121	5.9	PS5	31.2	21.2	35.2	25.2	*M*HVBTT*	
	1 1/4" IPS (Butt)	DR 9	5.3		31.2	21.2	35.2	25.2		
		DR 11			31.2	21.2	35.2	25.2		
	1 1/4" IPS (Socket-Fab)	N/A	N/A	34.2	24.2	38.2	28.2	*F*HVSTT*		
	2" IPS (Butt)	DR 9	DR 11	5.3	PS5	32.6	21.6	36.6	25.6	*M*HVBTT*
						30.6	20.6	34.6	24.6	
2" IPS (Socket-Fab)	N/A	N/A	N/A	PS6	33.6	23.6	37.6	27.6	*F*HVSTT*	

¹ - See Bulletin PP 11.03 for cutter limitations
 - Drawing No. - CU70D354 for Std Chimney and CU70D360 for Extended Chimney

Standard Package Quantity-6
 24" Sleeve supplied with list price above
 Refer to Bulletin PP 11.04 for additional Sleeve sizes

NOTE
 Refer to Bulletin PP 11.02 for High Volume Tapping Tee Accessories



³ Dimensions NOT applicable for fabricated fittings with socket coupling

***DriscoPlex[®] tapping tees and cutters are designed and intended to tap polyethylene mains of wall thickness as defined in PP11.03. Special precautions are necessary when working in gaseous environments or elevated temperatures. Consult your Operations and Safety Manuals for specific recommendations. The use of these tapping tees and cutters beyond this scope is at the user's own risk.**