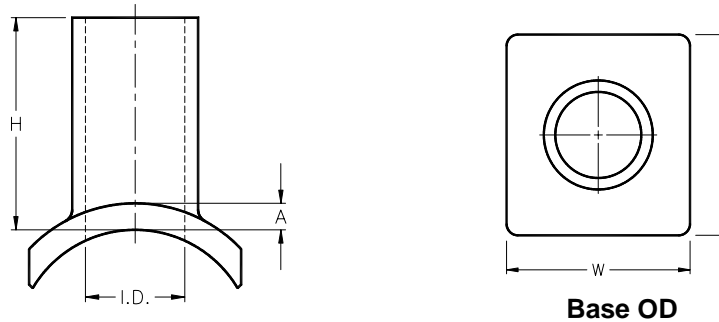


Branch Saddles /Butt Outlet / Rectangular Base

PRODUCED TO ASTM D2513 & D3261

and AWWA C901-02 & C906-99



Main Size (Nominal) (IPS/ DIPS)	Outlet Size	DR/ Wall	Dimensions (in)					Package Quantity	Package Weight (lbs.)	Box Quan- tity	CSA ¹	Reference Number
			H	W	L	ID	A					
1 1/4" - 12"	1/2" CTS	0.090	3.10	1.82	2.30	0.44	0.50	10	2.0	50	x ²	*M*BSDL*
	1/2" IPS	DR 9.3	3.10	1.97	2.40	0.66	0.50					
	3/4" IPS	DR 9	3.10	1.97	2.40	0.76	0.50					
		DR 11	3.10	1.97	2.40	0.81	0.50					
	1" IPS	DR 9	3.10	1.97	2.40	0.95	0.50					
		DR 11	3.10	1.97	2.40	1.02	0.50					
2" - 12"	1 1/2" IPS	DR 11	2.47	2.35	2.68	1.47	0.51	10	2.5	10		
	2" IPS	DR 9	2.75	3.92	4.32	1.73	0.63		6.0			
		DR 11	3.88	3.92	4.32	1.85	0.63		6.0		x ²	

¹ - CSA and IAPMO available as DriscoPlex[®] 6500 MDPE materials ONLY up thru 8" mains.

² - 1/2" CTS .090, 2" IPS DR11 CSA approved 2" through 8" mains only.
- Refer to Bulletin PP 11.04 if Protective Sleeves are required.
- Drawing No. CU70B720 (1/2" CTS thru 1" IPS)
- CU70B311 (2" DR 9 and 11)
- CU70A530 (1 1/2")