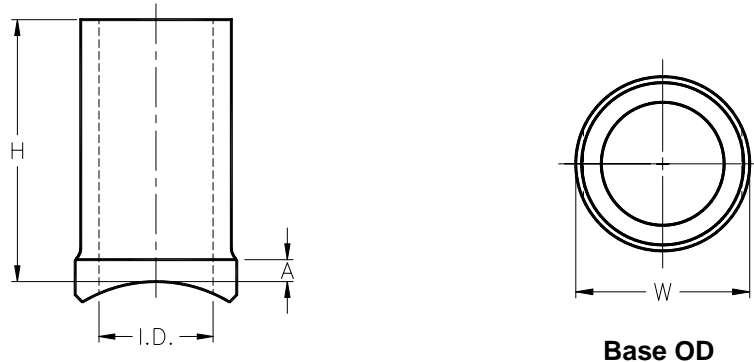


Branch Saddles / Butt Outlet / Round Base

PRODUCED TO ASTM D2513 & D3261
and AWWA C901-02 & C906-99



| Main Size (Nominal) (IPS / DIPS) | Outlet Size | DR | Dimensions (in) | | | | Package Quantity | Package Weight (lbs.) | Box Quantity | CSA ¹ | FM | | Reference Number |
|----------------------------------------|----------------|-------|-----------------|------|------|------|---------------------|--------------------------|-----------------|------------------|----------------|-----|---------------------|
| | | | H | W | ID | A | | | | | 150 | 200 | |
| 1 1/4" - 18" | 3/4" IPS | DR 9 | 3.10 | 1.50 | 0.76 | 0.50 | 10 | 1.6 | 50 | | | | *M*BSDL* |
| | | DR 11 | 3.10 | 1.50 | 0.81 | 0.50 | | 1.4 | | | | | |
| | 1" IPS | DR 9 | 3.10 | 1.75 | 0.95 | 0.50 | | 1.7 | | | | | |
| | | DR 11 | 3.10 | 1.75 | 1.02 | 0.50 | | 1.5 | | | | | |
| 2" - 18" | 1 1/4" IPS | DR 11 | 3.30 | 1.81 | 1.29 | 0.25 | 10 | 2.0 | 50 | | | | |
| | | DR 11 | 3.50 | 2.15 | 1.47 | 0.35 | | 2.4 | | | | | |
| | 2" IPS | DR 9 | 3.68 | 2.61 | 1.73 | 0.35 | | 3.1 | | | x | | |
| | | DR 11 | 3.34 | 2.61 | 1.85 | 0.35 | | 3.1 | | x ² | x | | |
| 4" - 18" | 3" IPS | DR 7 | | | 2.48 | 10 | 9.0 | 10 | | | | | |
| | | DR 9 | 4.13 | 5.00 | 2.68 | | | | 0.63 | | | x | |
| | | DR 11 | | | 2.86 | | | | | | x ² | x | |
| 6" - 18" | 4" IPS | DR 7 | | | 3.24 | 1 | 11.0 | 1 | | | | | |
| | | DR 9 | 4.13 | 5.00 | 3.44 | | | | 0.63 | | | x | |
| | | DR 11 | | | 3.68 | | | | | | x ³ | x | |
| 8" - 24" | 6" IPS | DR 11 | 5.85 | 7.00 | 4.51 | 0.75 | 1 | 5.0 | | | x | | |
| 10" - 24" | 8" IPS | DR 11 | 8.00 | 9.43 | 5.75 | 0.75 | 1 | 6.0 | | | x | | |

¹ - CSA and IAPMO available as DriscoPlex[®] 6500 MDPE materials ONLY up thru 8" mains.

² - For main sizes 4, 6 & 8" ONLY.

³ - For main sizes 6 & 8" ONLY.

x - Indicates certification/approval for application or test at additional charge.

Refer to Bulletin PP 11.04 if Protective Sleeves are required.

Drawing Nos. CU70B714